

UPPER CIRCLE FOH
(CH. 1-24) (NON DIM x 2)

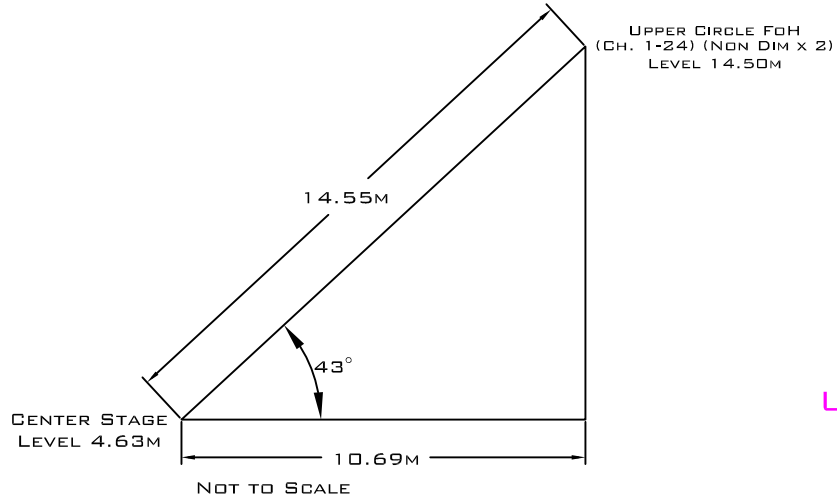
COL

COL

COL

COL

UPPER CIRCLE FOH
(CH. 29-32)
(NON DIM x 1)



UPPER CIRCLE FOH
(CH. 25-28)
(NON DIM x 1)

COL

COL

BALCONY BAR & BOOM
(CH. 41-48)
(NON DIM x 2)

BALCONY BAR & BOOM
(CH. 33-40)
(NON DIM x 2)

OPTIONAL STAGE EXTENSION

CENTER STAGE
LEVEL 4.63M

STAGE LEVEL 4.63M

SAFETY CURTAIN
CONTROL

LX1 (CH. 49-60)

HEMPLINE 1

HEMPLINE 2

HEMPLINE 3

HEMPLINE 4

LX2 (CH. 61-72)

HEMPLINE 5

HEMPLINE 6

HEMPLINE 7

HEMPLINE 8

LX3 (CH. 73-84)

LX4 (CH. 85-96)

LX5 (CH. 97-108)

HEMPLINE 9

HEMPLINE 10
DROPPED IN FROM TECH GALLERY

UNDERSIDE OF GANTRY LEVEL 11.90M

UNDERSIDE OF GANTRY LEVEL 11.77M

SCENE DOCK /
FOH

SR SIDE BAR 1
SR SIDE BAR 2
POWER SUPPLY
& CONTROL

POWER SUPPLY
& CONTROL

POWER SUPPLY
& CONTROL

POWER SUPPLY
& CONTROL

SL SIDE BAR 1
SL SIDE BAR 2

GREEN ROOM /
DRESSING ROOMS

& CONTROL

SCENE DOCK /
ORCHESTRA PIT

A3 SCALE 1:50

THEATRE ROYAL COMPLETE